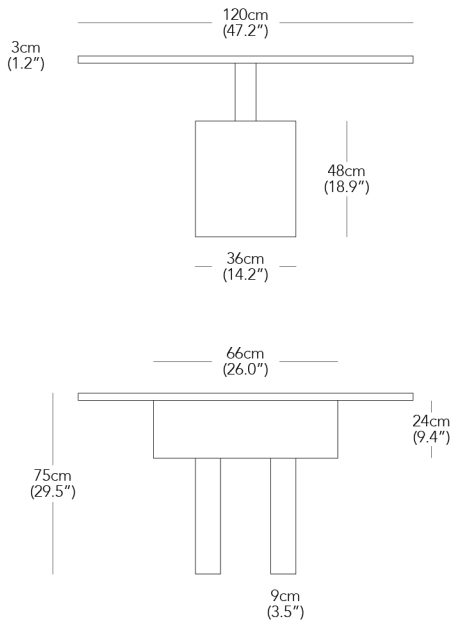


Resident

Plane Dining Table Round 1200



DESIGNER
Jamie McLellan / 2022

PRODUCT DESCRIPTION
Dining Table

PRODUCT CODE
PLA002N - Plane Dining Table Round (1200), Natural
PLA002U - Plane Dining Table Round (1200), Umber

* Components drawn in relative scale. Refer to CAD files for accurate drawings.
As table diameter changes, other dimensions remain the same.

MATERIALS
Solid Oak

COLOUR OPTIONS
Natural Oak
Umber Stained Oak

PRODUCT ENVIRONMENT
Indoor Use Only

APPROPRIATE FOR HARD CONTRACT USE
Yes

WARRANTY
3 Years

PACKAGED DIMENSIONS
2 Boxes Per Table

W	D	H	Box 1 (Top)		
130	x	130	x	11	0.19 m ³
51.2	x	51.2	x	4.3"	6.6 ft ³
W	D	H	Box 2 (Legs)		
86	x	86	x	20	0.15 m ³
33.9	x	33.9	x	7.9"	5.2 ft ³

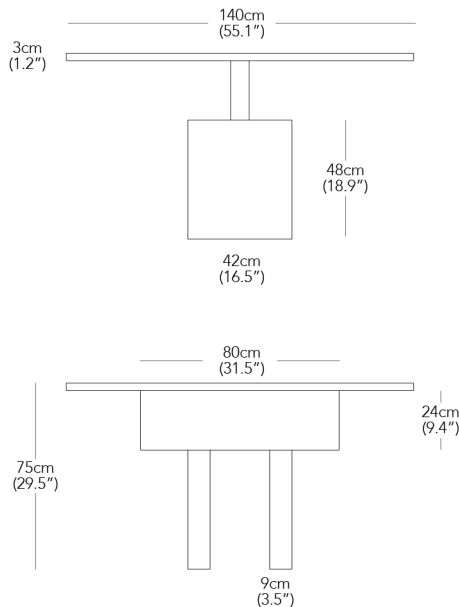
PACKAGED WEIGHT	
Box 1 (Top)	Combined
45 kg	89 kg
99 lbs	196 lbs
Box 2 (Legs)	
44 kg	
97 lbs	

PRODUCT WEIGHT
76 kg
168 lbs

COUNTRY OF ORIGIN
Lithuania

Resident

Plane Dining Table Round 1400



DESIGNER
Jamie McLellan / 2022

PRODUCT DESCRIPTION
Dining Table

PRODUCT CODE
PLA003N - Plane Dining Table Round (1400), Natural
PLA003U - Plane Dining Table Round (1400), Umber

* Components drawn in relative scale. Refer to CAD files for accurate drawings.
As table diameter changes, other dimensions remain the same.

MATERIALS
Solid Oak

COLOUR OPTIONS
Natural Oak
Umber Stained Oak

PRODUCT ENVIRONMENT
Indoor Use Only

APPROPRIATE FOR HARD CONTRACT USE
Yes

WARRANTY
3 Years

PACKAGED DIMENSIONS
2 Boxes Per Table

W	D	H	Box 1 (Top)				
150	x	150	x	11	cm	0.25	m ³
59.1	x	59.1	x	4.3	inch	8.7	ft ³
W	D	H	Box 2 (Legs)				
100	x	100	x	20	cm	0.2	m ³
39.4	x	39.4	x	7.9	inch	7.1	ft ³

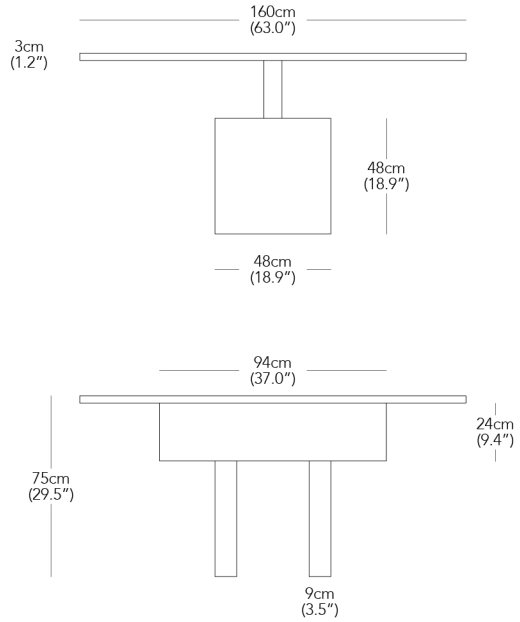
PACKAGED WEIGHT	
Box 1 (Top)	Combined
49 kg	98 kg
108 lbs	216 lbs
Box 2 (Legs)	
49 kg	
108 lbs	

PRODUCT WEIGHT
85kg
187 lbs

COUNTRY OF ORIGIN
Lithuania

Resident

Plane Dining Table Round 1600



DESIGNER
Jamie McLellan / 2022

PRODUCT DESCRIPTION
Dining Table

PRODUCT CODE
PLA004N - Plane Dining Table Round (1600), Natural
PLA004U - Plane Dining Table Round (1600), Umber

* Components drawn in relative scale. Refer to CAD files for accurate drawings.
As table diameter changes, other dimensions remain the same.

MATERIALS
Solid Oak

COLOUR OPTIONS
Natural Oak
Umber Stained Oak

PRODUCT ENVIRONMENT
Indoor Use Only

APPROPRIATE FOR HARD CONTRACT USE
Yes

WARRANTY
3 Years

PACKAGED DIMENSIONS
2 Boxes Per Table

W	D	H	Box 1 (Top)		
170	x	170	x	11	0.32 m ³
67.0	x	67.0	x	4.3"	11.2 ft ³
W	D	H	Box 2 (Legs)		
114	x	114	x	20	0.26 m ³
44.9	x	44.9	x	7.9"	9.2 ft ³

PACKAGED WEIGHT	Combined
Box 1 (Top)	107 kg
53 kg	236 lbs
117 lbs	
Box 2 (Legs)	
54 kg	
119 lbs	

PRODUCT WEIGHT
94 kg
207 lbs

COUNTRY OF ORIGIN
Lithuania